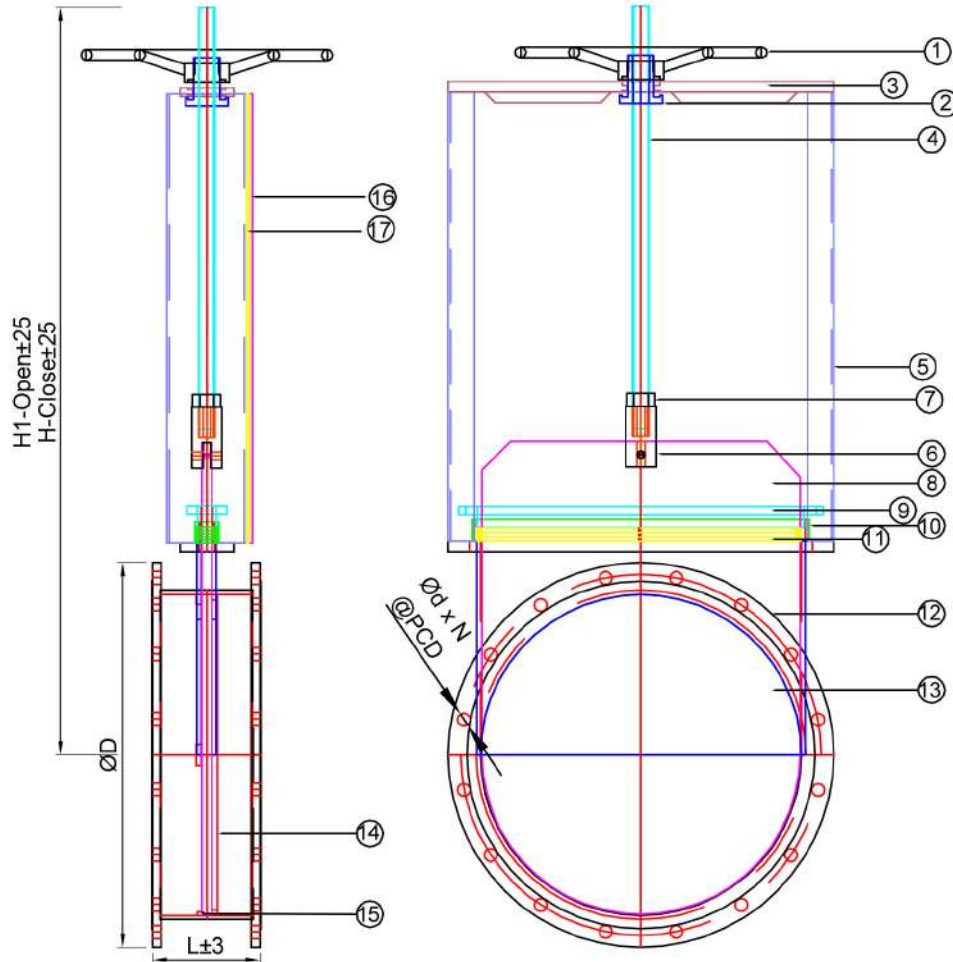


TEST PRESSURE Kg/Sq.Cms	Hydraulic-NoTest	Design Reference	PEC
	Pneumatic-Notest	Testing Reference	No pressure offered
FLANGES	Ref-PEC Serrated ANSI-B 16.5 Class-150	NDT -On Request	Not applicable

Optional Choice  
 Design- Square/Rectangle  
 Actuation : Pneumatic/Gear/Chain/Electric/  
 Hydraulic  
 Extended spindle for high elevation

Dimension table Dimensions in mm & for reference only

SIZE MM NB	ØD	H Close	H1 Open	L	PCD	d	N	Wt Kgs
100	229	400	510	150	191	19	8	
150	279	450	560	150	241	22	8	
200	343	590	710	150	298	22	8	
250	406	670	910	150	362	25.4	12	
300	483	720	960	200	432	25.4	12	
350	533	770	1010	200	476	28.6	12	
400	597	820	1050	200	540	28.6	16	
450	635	870	1100	200	578	31.7	16	
500	699	920	1150	200	635	31.7	20	
600	813	1020	1250	200	749	34.9	20	



17	FRAME GASKETS	Rubber/Vender's Specs	6	
16	FRAME COVERS	MS/SS-304/316/As required	2	
15	GATE-GUIDE	MS/SS-304/316/As required	4/6/8	
14	SEAT-RING	MS/SS-304/316/As required	1	
13	BODY	MS/SS-304/316/As required	1	
12	FLANGES	MS/SS-304/316/As required	2	
11	GLAND-PACKINGS	NON-ASBESTOS		
10	GLAND-HOUSING	MS/SS-304/316/As required	1	
9	GLAND-BUSH	MS/SS-304/316/As required	1	
8	GATE	MS/SS-304/316/As required	1	
7	CHECK NUT	MS/SS-304/316/As required		
6	COUPLER	MS/SS-304/316/As required	1	
5	VERTICAL-CHANNELS	MS/SS-304/316/As required	2	
4	SPINDLE	MS/SS-304/316/As required	1	
3	TOP PATA	MS/SS-304/316/As required	1	
2	YOKE BUSH	MS/SS-304/316/As required	1	
1	HAND-WHEEL	Malleable/As required	1	
No	PART NAME	M.O.C.	QTY.	REMARKS

	NAME	DATE
DRN	SNB	05-01-21
DGN	PMM	05-01-21
CHD	PMM	05-01-21
APPR		
SCALE		

**PROCESS EQUIPMENT CORPORATION**  
 AHMEDABAD-380008,INDIA

CLIENT:  
 Client's Ref. No  
 Model-Code-FLPV-1125  
 Drawing No.-FLPV-1125  
 File Location  
 d/design/products/valves/flpv/flpv-1125/gad

TITLE:  
 KNIFE-EDGE-GATE VALVE  
 MANUAL/PNEUMATIC

4			
3			
2			
1			
No	DATE	MATTER	BY
UPDATED			

The drawing and design is sole property of PEC and subjected to change any time without notice